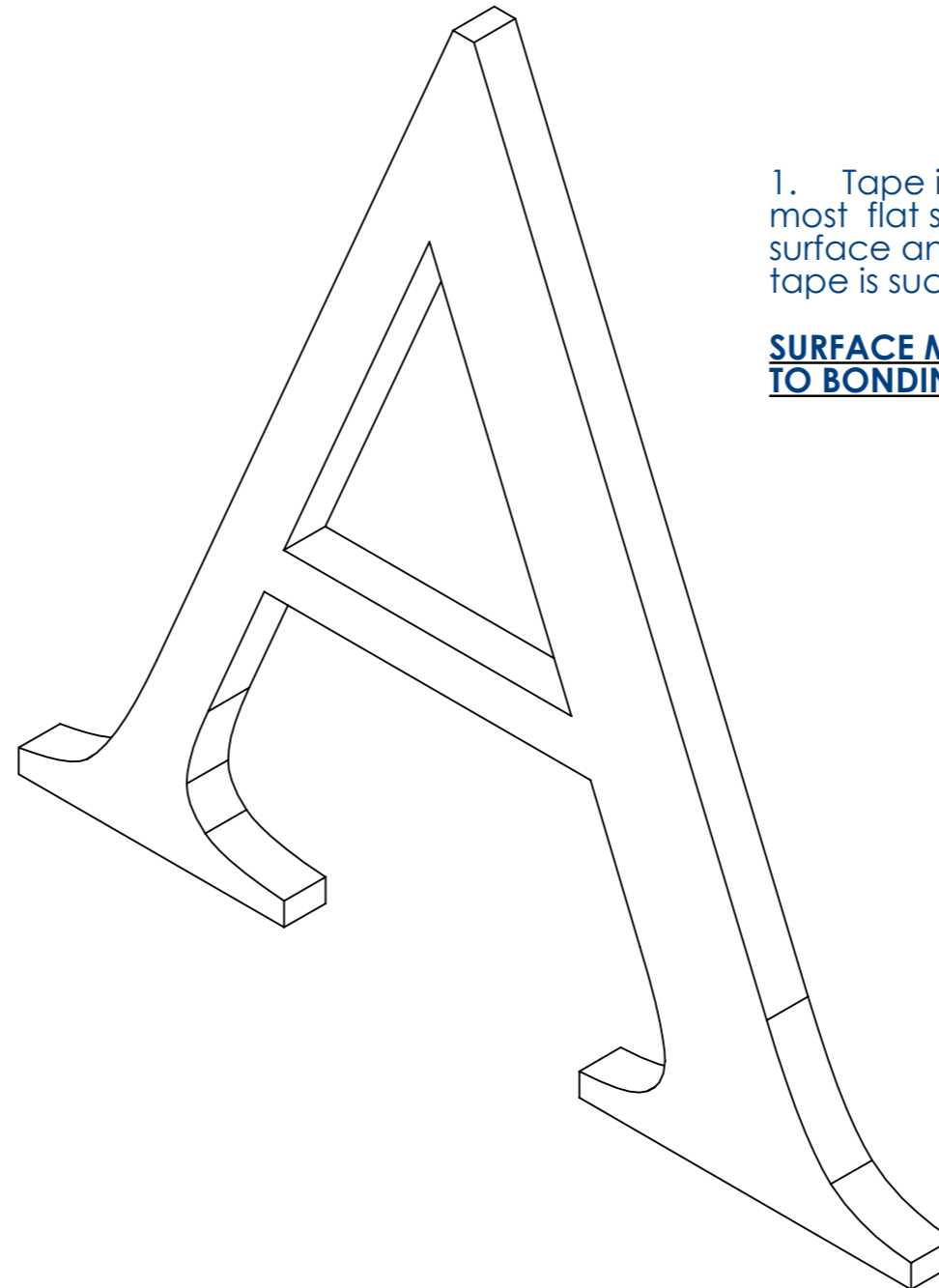




LETTER SIGNAGE INSTALLATION

CONTACT US ON: 01352 79200 - FOR ANY ASSISTANCE



1. Tape is applied to rear to adhere to most flat surfaces. Place signage against surface and provide pressure to ensure tape is successfully bonded.

SURFACE MUST BE CLEANED PRIOR TO BONDING SIGNAGE